



# **A0520/A0620**

## **OUTDOOR SPEAKERS**

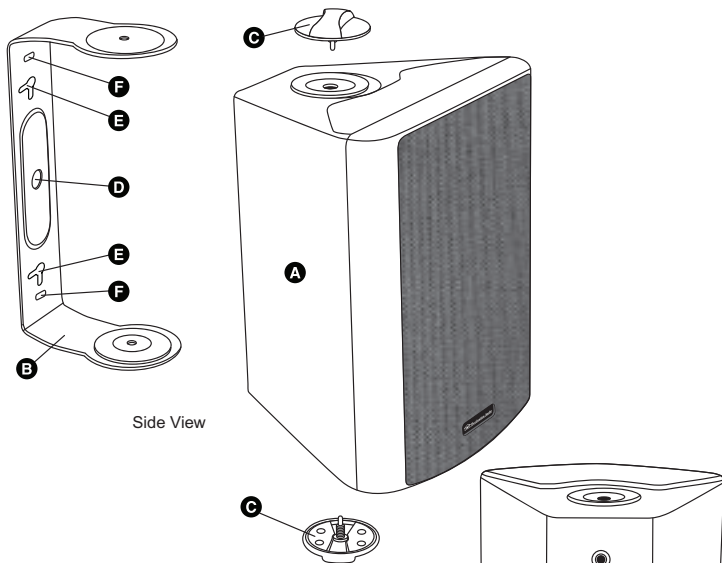
*Installation & Operation Manual*

# Introduction

Congratulations on your purchase of Destination Audio outdoor speakers! Your speakers are the result of many years of research and development dedicated to producing high quality products for home audio and audio/video systems.

This manual contains features, setup recommendations and specifications for the **AO520** and **AO620** outdoor speakers. We recommend you thoroughly read through the material contained in this manual before connecting your speakers. This will ensure you have a good understanding of how to setup your speakers for optimum performance and allow for years of listening enjoyment.

# Parts Guide



Side View

## AO520/AO620 Parts Diagram

- A. Enclosure
- B. Mounting Bracket
- C. Bracket Knob
- D. Wire Hole
- E. Nail Hole
- F. Screw Hole
- G. Binding Posts

Back View

## Features

The cabinet of the **AO520** and **AO620** is constructed of impact resistant ABS plastic that is sealed to provide resistance from the natural elements of the weather. The rounded back is designed for easy placement into a corner. All hardware parts are made from brass, aluminum or stainless steel and the binding posts are plastic to avoid corrosion.

For high frequencies, a 1" mylar dome tweeter is used. This tweeter uses Ferro Fluid™ liquid cooling to allow greater power handling. For midrange and bass reproduction, a long throw 5¼ or 6½" poly graphite woofer with a butyl rubber surround is used.

Steep acoustic slope crossovers are used to integrate drivers. The use of steep crossover slopes allows high power handling, minimizes driver interaction anomalies, and maximizes the clarity with which each driver is able to produce its respective frequency band.

The bracket for the **AO520** and **AO620** allows the speaker to be hung either horizontally or vertically, and can be mounted several different ways and swivels for optimum placement.

## System Setup and Placement

In order to extract the best possible sound from your speaker system, it is important to determine where the speakers will sound best in your listening area. Reflections from the ground and walls influence the balance, imaging and overall sonic quality at the listening position. We suggest you experiment with speaker placement to determine which location offers the best overall sound and protection from direct weather elements.

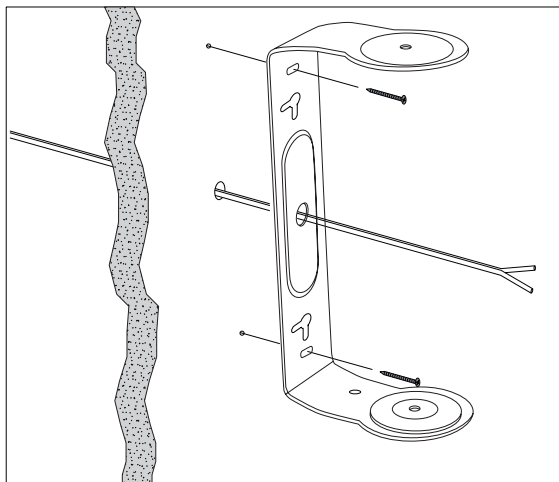
The distance from the listening position to each speaker should be close to the distance that separates the two main speakers. Angling the speakers inward towards the listening position may give a more spacious and realistic sound stage.

Placing the speakers in a corner or under an eave will provide reinforcement for the bass frequencies, resulting in higher bass output. Placing the speakers away from any corners or walls will provide the least amount of reinforcement, resulting in lower bass output.

## Installation

As mentioned earlier in this manual, the bracket has the ability to be mounted a variety of different ways. To elaborate on this, it may be mounted with either nails or screws, horizontally or vertically. The hole in the center of the bracket allows speaker wire through so it may be properly attached to the speaker.

It is best to consult your local Destination Audio dealer or installer with any further questions.



## Mounting & Connections

**A.** The **AO520** and **AO620** can be mounted either horizontally or vertically. Hold the bracket against the mounting surface, so you can mark the locations of the mounting holes, and the wire hole (see the Parts Guide).

**B.** Drill corresponding pilot holes for the included mounting screws or nails (not included), and a hole large enough for speaker wire to pass through.

**C.** Pull speaker wire through the hole and through the bracket, aligning the bracket with the holes.

**D.** Use hardware to attach the bracket to the mounting surface.

**E.** Use the bracket knobs to attach the speaker to the bracket, being careful to not tighten the knobs; this will allow the speaker to be angled slightly so the rear binding posts are accessible (see Parts Guide).

**F.** Connect one wire to the black terminal and one to the red terminal, paying close attention to the markings on the wires for proper polarity. Each speaker must be connected to the amplifier in the same way.

**G.** Adjust the speaker for desired position and tighten the bracket knobs.

## **Break-in Period\***

Plan on giving your speakers 10-15 hours of playing time to adequately “break in.” During this time period the driver suspension will loosen. The result will be an increase in low frequency response and improved definition.

\*NOTE: This is an important step that is most often disregarded. Allowing your speakers the specified “break in” period can prolong the life of your speakers and enhance their tonal qualities as mentioned above.

## **Operation**

We recommend an amplifier with an output power rating of 25-100 watts per channel. This will help to protect the speaker from being under or over driven, which could cause permanent damage.

When listening to the speakers outdoors, keep in mind that there are very few walls to reinforce the sound. Therefore, be careful not to drive the speakers beyond what they are capable when trying to obtain a desired volume level. You will be able to determine audibly when the speaker is being over driven by the “break-up” or distortion that is coming from the speaker.

# Troubleshooting

Situation:	Probable Cause:	Solution:
No sound from speakers	<p>Speaker wire not connected</p> <p>Speaker selector on amplifier is not on</p>	<p>Make sure wire is connected at both the speaker and the amplifier observing proper polarity</p> <p>Activate proper selector on amplifier</p>
No sound from one speaker	<p>Balance control on receiver or pre-amp is not centered</p> <p>Speaker wire not securely connected</p>	<p>Place balance control in the center</p> <p>Check all connections at amplifier and speakers</p>
Very little bass and/or imaging	Speakers are wired out of phase	Check entire system for proper polarity and make adjustments as necessary

# Specifications

Model	A0520	A0620
Frequency Response:	70 Hz - 20kHz $\pm$ 3 dB	60 Hz - 20kHz $\pm$ 3 dB
Sensitivity:	87 dB (2.83V @ 1 Meter)	88 dB (2.83V @ 1 Meter)
Power Handling:	80 Watts	100 Watts
Drive Units:	1" (25mm) Mylar Dome Tweeter 5¼" (132mm) Poly Graphite Woofer	1" (25mm) Mylar Dome Tweeter 6½" (164mm) Poly Graphite Woofer
Impedance:	8 Ohms	8 Ohms
Finish:	ABS plastic	ABS plastic
Dimensions:	7.5" W x 9.75" H x 6.5" D (190mm W x 247mm H x 165mm D)	9.5" W x 11" H x 7.5" D (241mm W x 279mm H x 190mm D)
Weight with Bracket:	5 lbs (2.26 kg) each	6 lbs (2.72 kg) each
Available Colors:	White or Black	White or Black

## Limited Warranty Information

Your Destination Audio **AO520** or **AO620** outdoor speaker is covered by a limited warranty against defects in materials and workmanship for a period of five (5) years from the original date of purchase. This warranty is provided by the authorized Destination Audio dealer where the speaker was purchased. Warranty repair will be performed only when your purchase receipt is presented as proof of ownership and date of purchase. Defective parts will be repaired or replaced without charge by your dealer's store or the location designated by your dealer that is authorized to service Destination Audio products. Charges for unauthorized service and transportation cost are not reimbursable under this warranty. This warranty becomes void if the product has been damaged by alteration, misuse or neglect. The warrantor assumes no liability for property damage or any other incidental or consequential damage whatsoever which may result from the failure of this product. Any and all warranties of merchantability and fitness implied by law are limited to the duration of this express warranty. Some states do not allow limitations on how long an implied warranty lasts, so the above limitations may not apply to you. Some states do not allow the exclusion or limitation of incidental or consequential damages, so the above limitation or exclusion may not apply to you.



**Destination Audio**

***Audio Products That Compliment Your Life.™***

382 Marshall Way, Layton, Utah • USA • 84041

Toll Free: (800) 543-2205 • Fax: (801) 543-3300

[www.destinationaudio.com](http://www.destinationaudio.com)